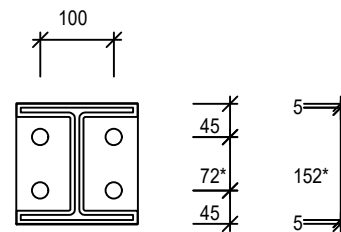
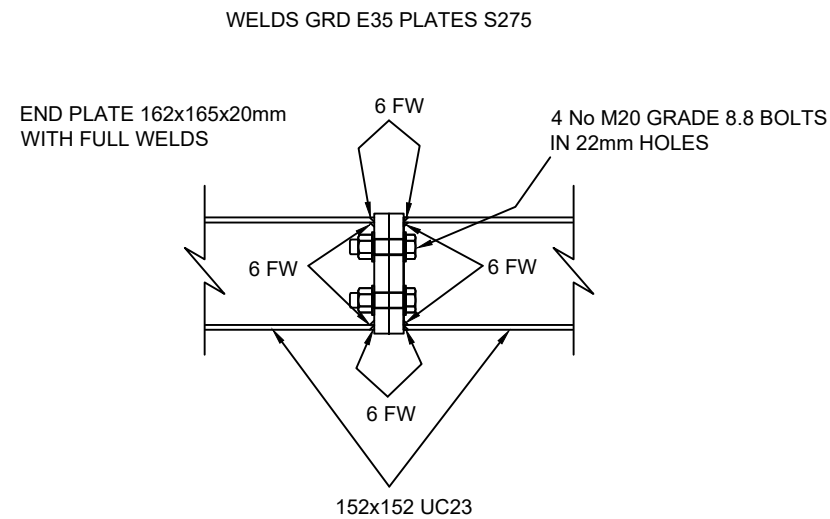


03,01 SPLICE DETAIL 254x146UB37

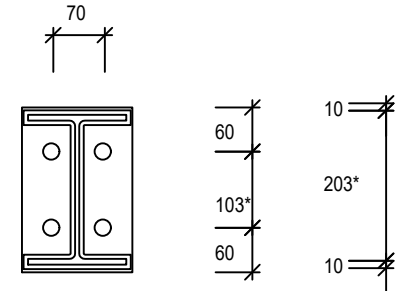
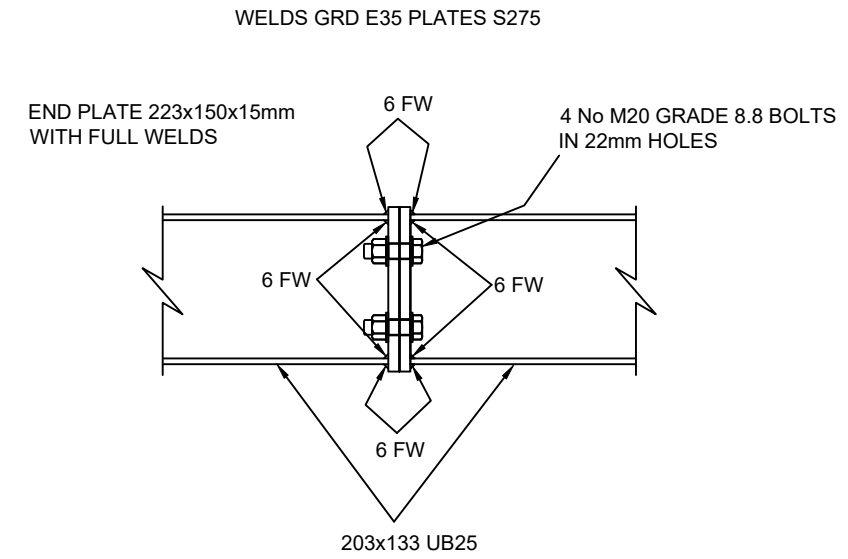
SCALE 1:10



03,02 SPLICE DETAIL 152x152UC23

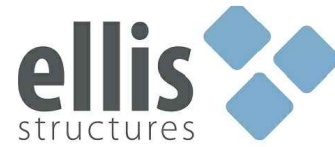
(FOR RIDGE BEAM AND BEAM IN FLOOR)

SCALE 1:10



03,03 SPLICE DETAIL 203x133UB25

SCALE 1:10

rev	date	by	comment
			Chartered Consulting Structural & Civil Engineers
client	RINGMER LOFT CONVERSION		T : 01273 470088 contact@ellisstructures.com www.ellisstructures.com
address	49b Cliffe High Street Lewes, East Sussex BN7 2AN		
drawing title	SPLICE DETAILS		drawn by PJE
scale	1:10 @A3		date JUN 2016
job no	16107	drawing no	03
		rev	-