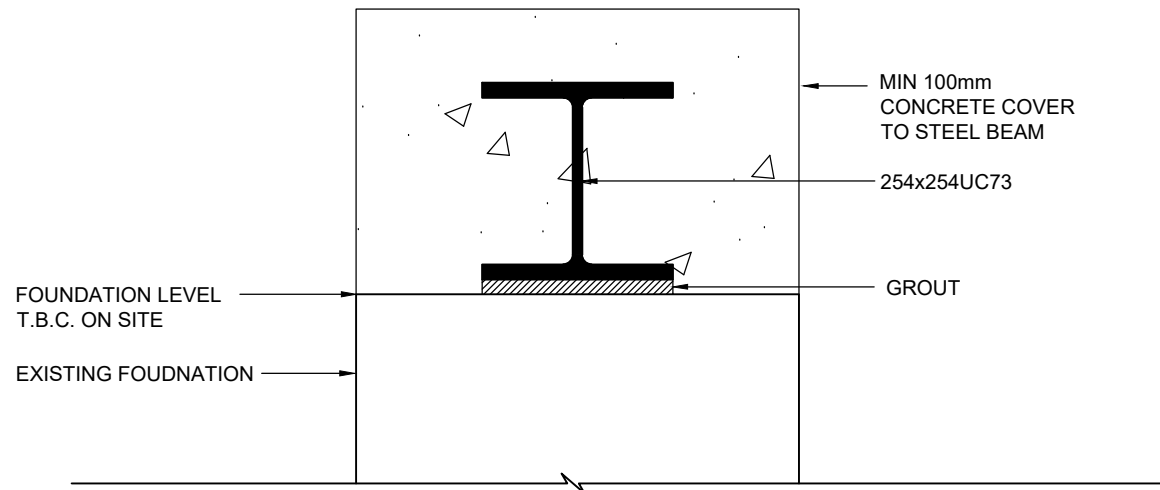


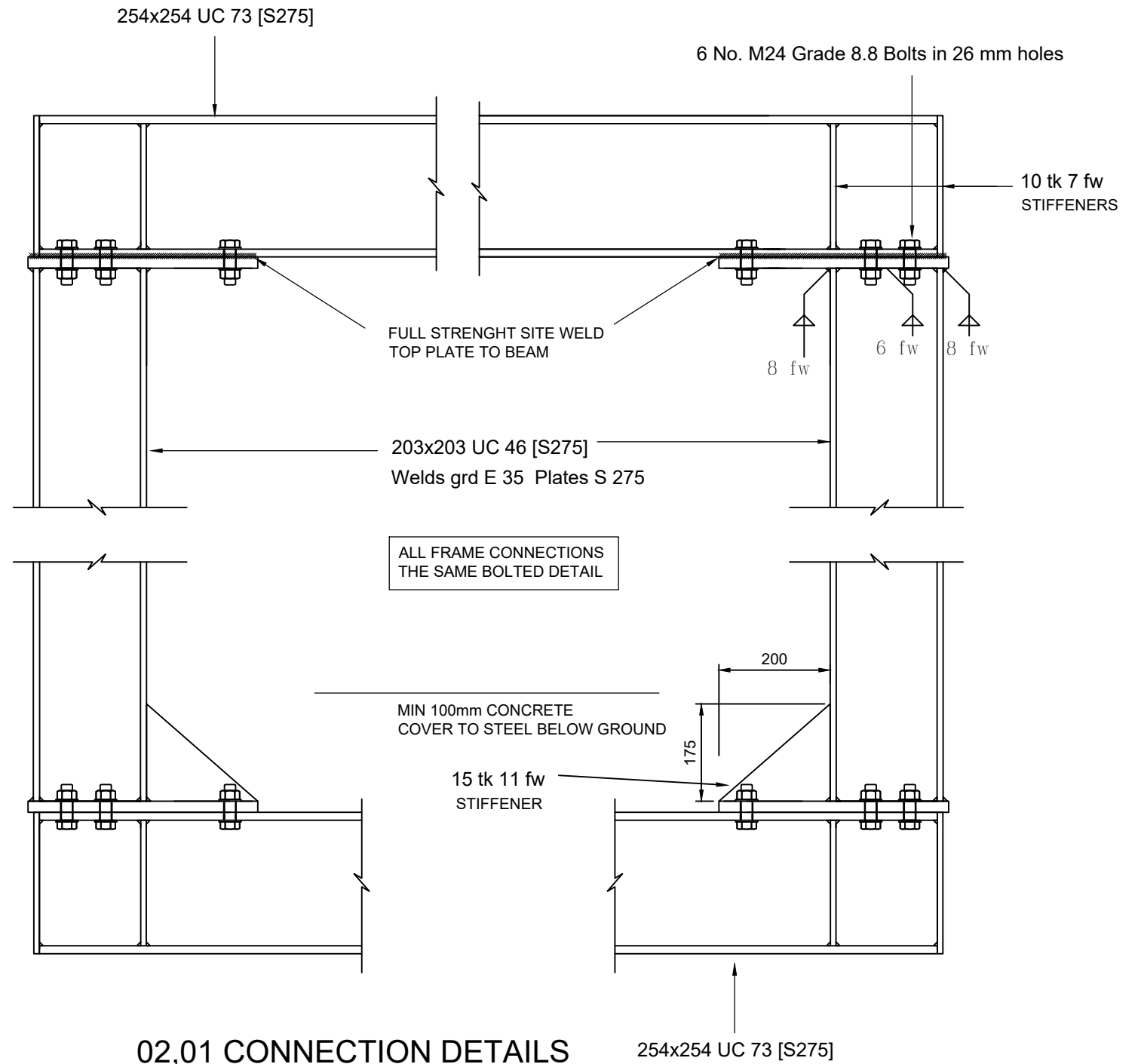
End-Plate 413 x 255 x 20 mm
6 No. M24 Grade 8.8 Bolts in 26 mm holes

PLAN OF COLUMN




02,02 FOUNDATION DETAIL

SCALE 1:10



02,01 CONNECTION DETAILS

rev	date	by	comment
 Chartered Consulting Structural & Civil Engineers			
client		T : 01273 470088	
address		contact@ellisstructures.com www.ellisstructures.com	
Haywards Heath		49b Cliffe High Street Lewes, East Sussex BN7 2AN	
drawing title		drawn by	
FRAME CONNECTIONS AND DETAILS		PJE	
		date	
		OCT 2014	
scale	job no	drawing no	rev
1:10 @A3	14150	02	